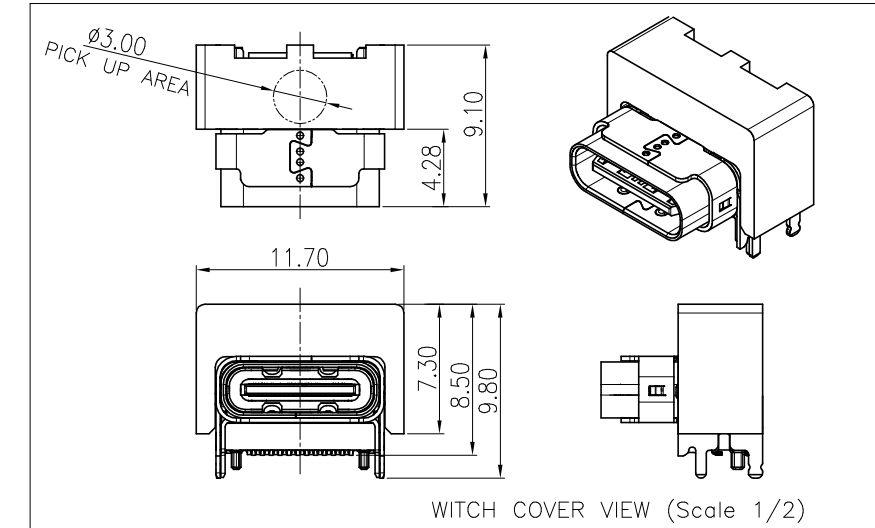
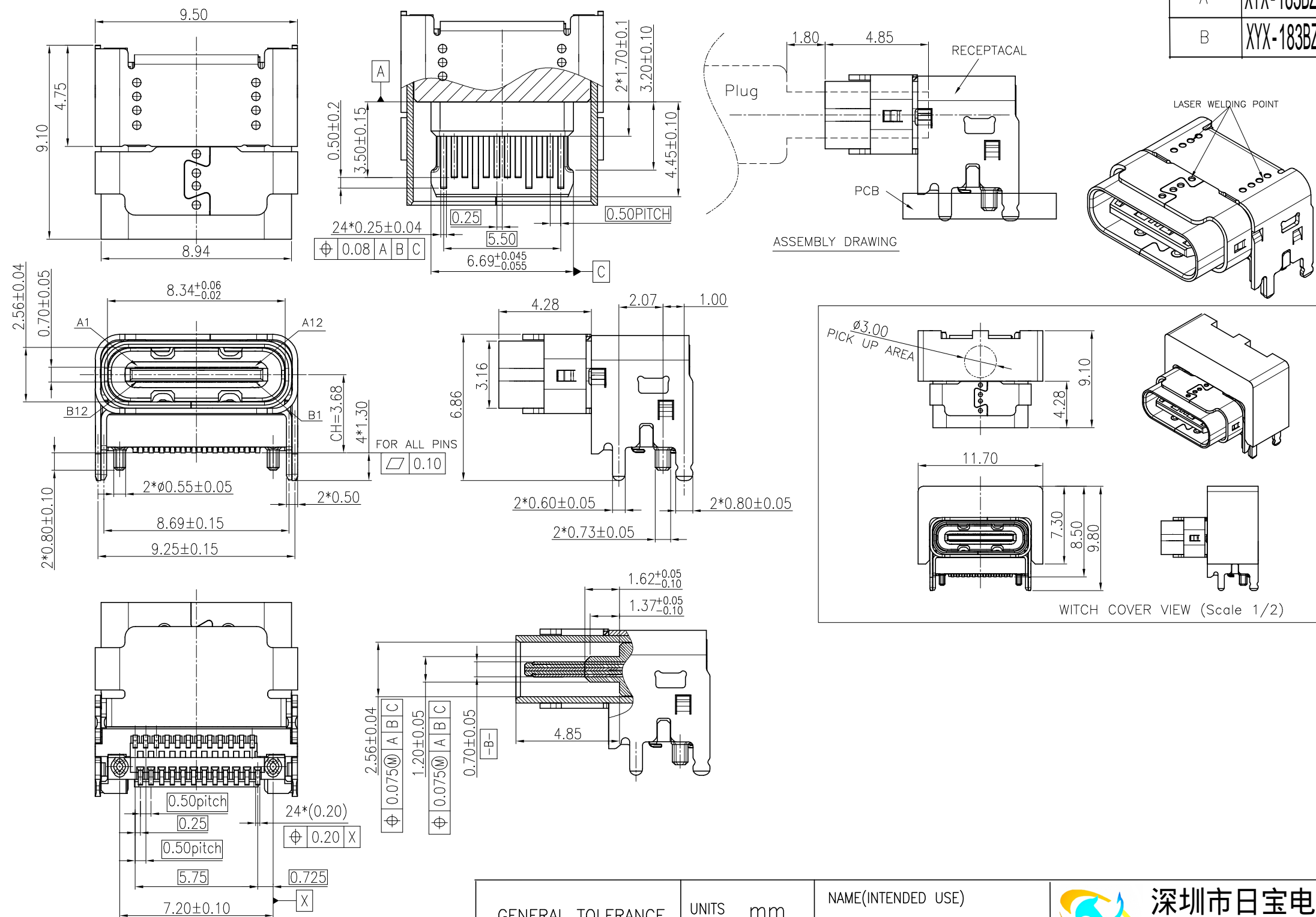


| | | |
|-----|----------------------|--------------|
| REV | ECN.NO | APPD. |
| A | XYX-183BZ-24TC-18302 | ZHENBO LIU |
| B | XYX-183BZ-24TC-18302 | QiaoZhen LIN |




此文件为双方检验的唯一标准
This document is the only standard for inspection by both parties

| NO. | DESCRIPTION | QTY. | MATERIAL | FINISH |
|-----|-------------|-------|-----------------|---|
| ⑤ | MID PLATE | 1 PCS | STAINLESS STEEL | NO SURFACE TREATMENT |
| ④ | CONTACT B | 1 SET | COPPER ALLOY | 50u" MIN. Ni UNDER PLATING. 80u" MIN. MATTE TIN PLATING ON SOLDER AREA. GOLD PLATING ON CONTACT AREA.(SEE PART NUM) |
| ③ | CONTACT A | 1 SET | COPPER ALLOY | |
| ② | HOUSING | 3 PCS | THERMOPLASTIC. | UL94V-0 COLOR: BLACK |
| ① | SHELL | 2 PCS | STAINLESS STEEL | Ni 30u" MIN. UNDER PLATED OVER ALL. |

| | | | |
|-------------------|--------|----|-----------------------------|
| GENERAL TOLERANCE | UNITS | mm | NAME(INTENDED USE) |
| X.±0.30 | | | TYPE-C REC, CH3.68mm |
| .X±0.25 | MAT'L | | PART NO.(INTENDED USE) |
| .XX±0.20 | | | XYX-183BZ-24TC-18302 |
| .XXX±0.10 | FINISH | | APPD: ZHENBO LIU 12/04'16 |
| | | | CHKD: QiaoZhen LIN 12/04'16 |
| | Q'TY | | DR: ZHIYI LI 12/04'16 |

THESE DRAWINGS AND SPECIFICATIONS ARE THE PROPERTY OF RIBAO IN TEECONNECT TECHNOLOGY LIMITED.AND SHALL NOT BE REPRODUCED COPIED OR USED IN ANY MANNER WITHOUT THE PRIOR WRITTEN CONSENT OF XINYEXING INTERCONNECTEC HNOLGY LIMITEDCT


深圳市日宝电子科技有限公司
 Shenzhen RB Electronic Technology Co., Ltd.

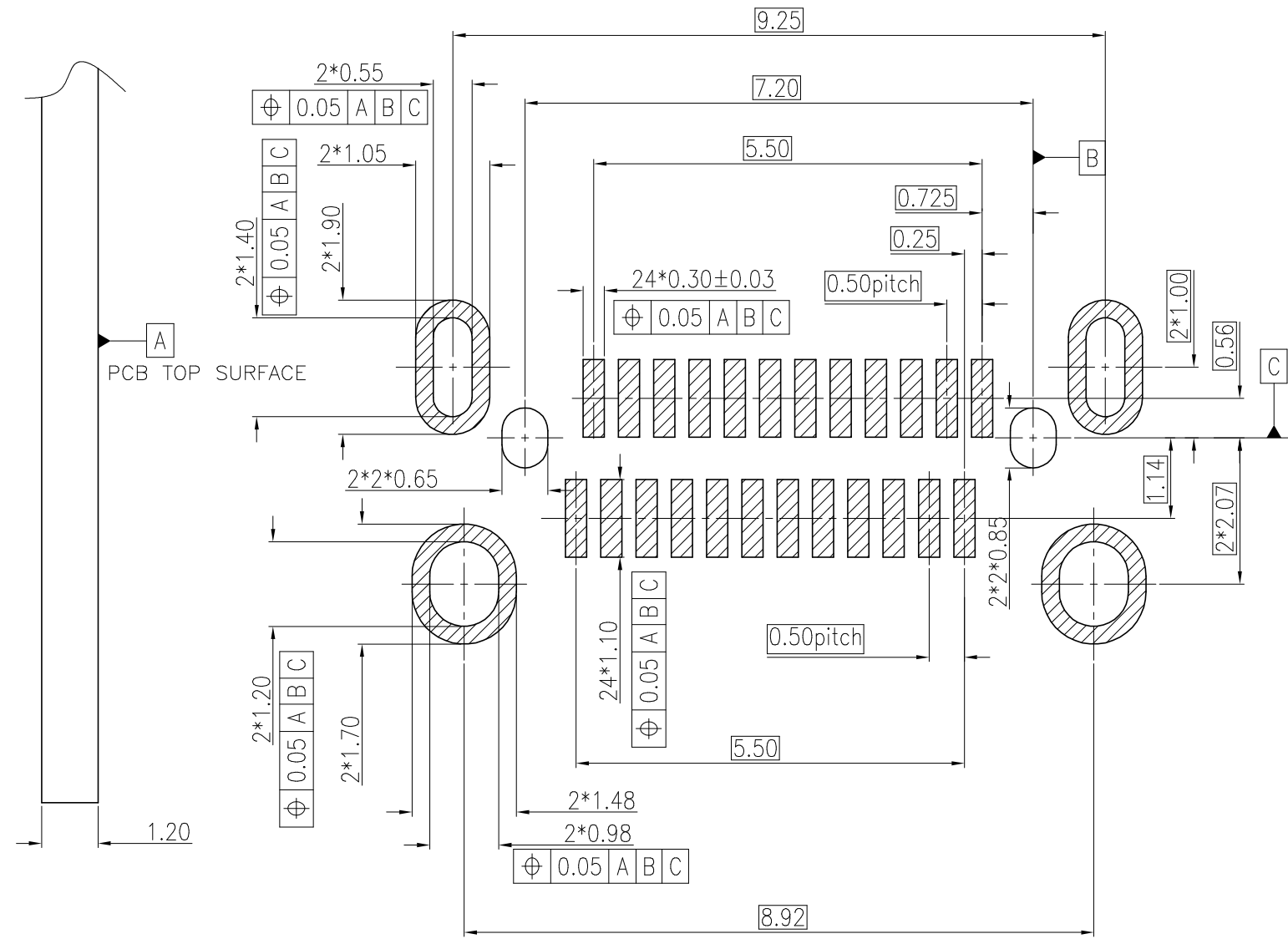
CLASS: CONFIDENTIAL SECRET GENERAL

TITLE.: CUSTOMER DRAWING

DWG NO.:

| | | | |
|--|-------|-------|-----|
| | SHEET | SCALE | REV |
| | 1/3 | 1:1 | B |

| | | |
|-----|----------------------|--------------|
| REV | ECN.NO | APPD. |
| A | XYX-183BZ-24TC-18302 | ZHENBO LIU |
| B | XYX-183BZ-24TC-18302 | QiaoZhen LIN |



SPECIFICATION:

- 1.ELECTRICAL CHARACTERISTICS:**
- 1.1 CURRENT RATING:**
 A current of 5 A shall be applied collectively to VBUS pins (i.e., pins A4, A9, B4, and B9) and 1.25 A shall be applied to the VCONN pin (i.e., B5 of the plug connector) with the return path through the corresponding GND pins (i.e., pins A1, A12, B1, and B12). A minimum current of 0.25 A shall also be applied individually to all the other contacts.
- 1.2 CONTACT RESISTANCE:** INITIAL 40 mΩ Max.
 AFTER 50 mΩ Max.
- 1.3 DIELECTRIC WITHSTANDING VOLTAGE:** 100 VAC r.m.s
- 1.4 INSULATION RESISTANCE:** 100 MEGOHMS MIN.
- 2.MECHANICAL CHARACTERISTICS**
- 2.1 INSERTION FORCE:** 5~20N
- 2.2 EXTRACTION FORCE:** Initial:8~20N;Durability:6~20N(1000cycles);
- 2.3 DURABILITY:**10,000CYCLES
- 3.ENVIRONMENTAL CHARACTERISTICS**
- 3.1 TEMPERATURE RANGE:** -40 °C ~ 85 °C
- 3.2. IR REFLOW:**
 THE PEAK TEMPERATURE ON THE BOARD SHALL BE MAINTAINED FOR 10 SECONDS AT 280°C.

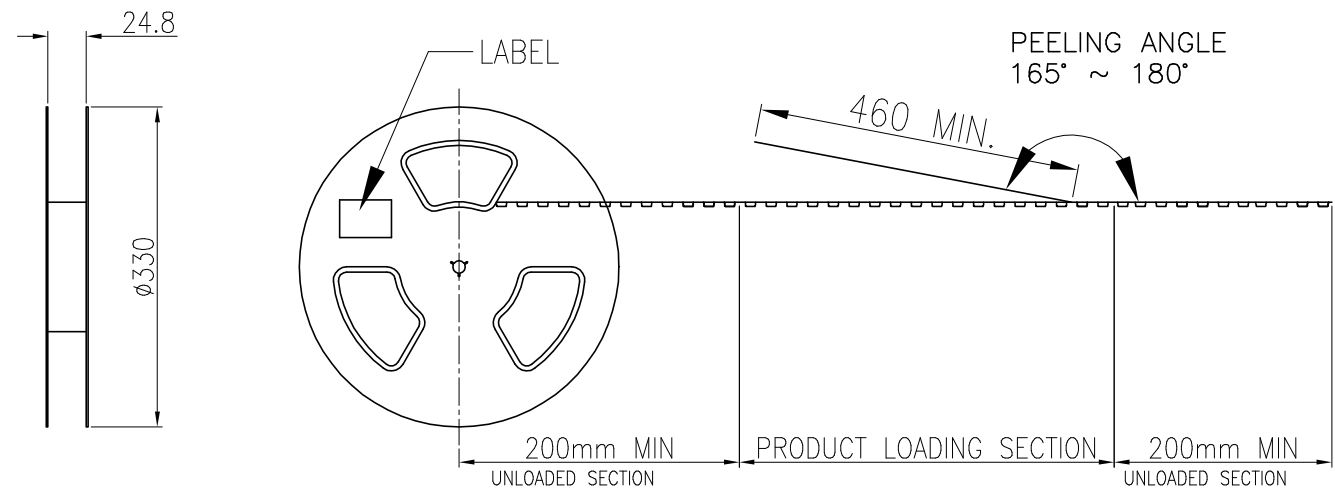
RECOMMENDED PCB LAYOUT TOLERANCE ±0.05MM.

| PIN ASSIGNMENT FOR DIRECT CONNECT APPLICATIONS | | | | | | | | | | | |
|--|------|------|------|------|----|----|------|------|------|------|-----|
| A1 | A2 | A3 | A4 | A5 | A6 | A7 | A8 | A9 | A10 | A11 | A12 |
| GND | TX1+ | TX1- | VBUS | CC1 | D+ | D- | SUB1 | VBUS | RX2- | RX2+ | GND |
| GND | RX1+ | RX1- | VBUS | SBU2 | D- | D+ | CC2 | VBUS | TX2- | TX2+ | GND |
| B12 | B11 | B10 | B9 | B8 | B7 | B6 | B5 | B4 | B3 | B2 | B1 |

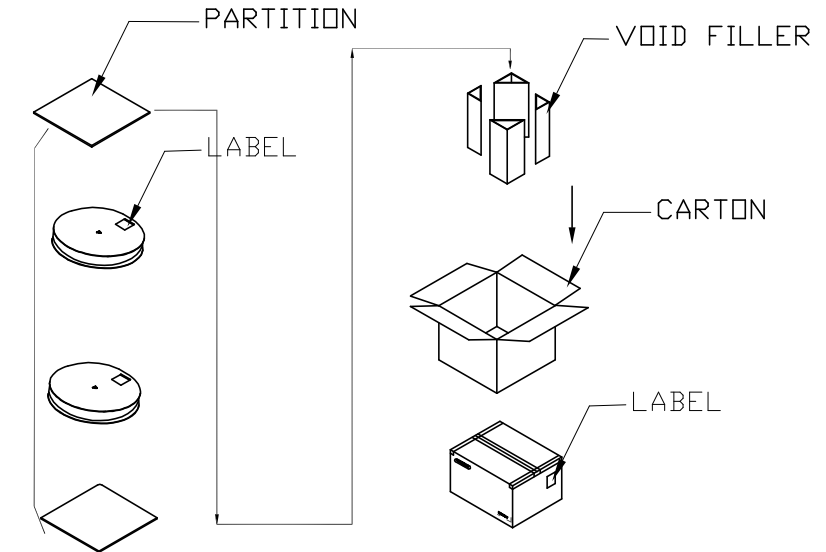
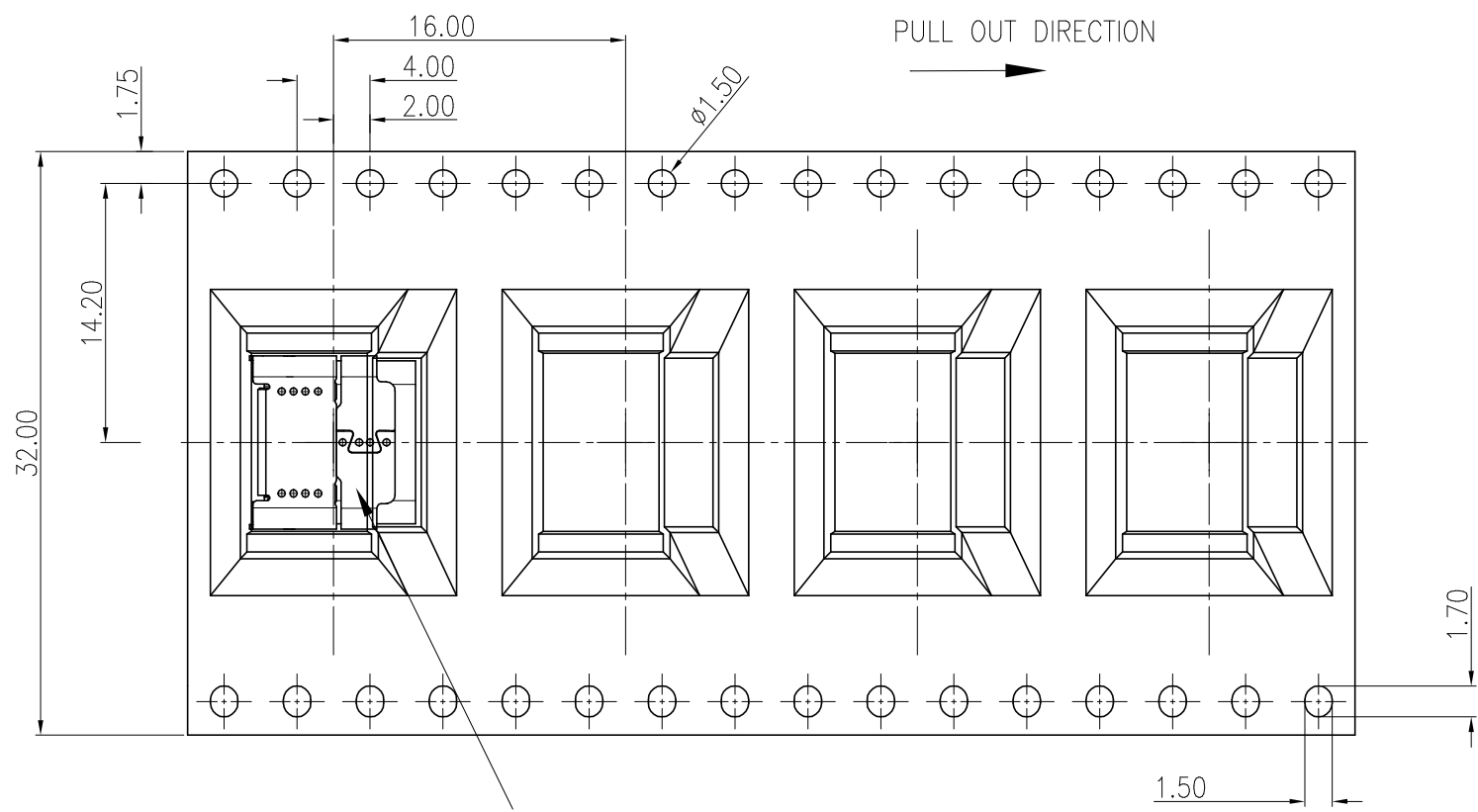
此文件为双方检验的唯一标准
 This document is the only standard for inspection by both parties

| | | | | | | | | | | | |
|---|----------|---|---|--|-------|-------|-----|--|-----|-----|---|
| GENERAL TOLERANCE X.±0.30 x.±1° .X±0.25 .x'±0.1° .XX±0.20 .XXX±0.10 | UNITS mm | NAME(INTENDED USE) TYPE-C REC, CH3.68mm | 深圳市日宝电子科技有限公司 Shenzhen RB Electronic Technology Co., Ltd. | | | | | | | | |
| | MAT'L | PART NO.(INTENDED USE) XYX-183BZ-24TC-18302 | | CLASS: <input type="checkbox"/> CONFIDENTIAL <input type="checkbox"/> SECRET <input checked="" type="checkbox"/> GENERAL | | | | | | | |
| THESE DRAWINGS AND SPECIFICATIONS ARE THE PROPERTY OF RIBAO IN TEECONNECT TECHNOLOGY LIMITED.AND SHALL NOT BE REPRODUCED COPIED OR USED IN ANY MANNER WITHOUT THE PRIOR WRITTEN CONSENT OF XINYEXING INTERCONNECTEC HNOLOGY LIMITEDCT | FINISH | APPD: ZHENBO LIU 12/04'16 | TITLE.: CUSTOMER DRAWING | | | | | | | | |
| | Q'TY | CHKD: QiaoZhen LIN 12/04'16 | DWG NO.: | | | | | | | | |
| | | DR: ZHIYI LI 12/04'16 | <table border="1"> <tr> <td></td> <td>SHEET</td> <td>SCALE</td> <td>REV</td> </tr> <tr> <td></td> <td>2/3</td> <td>1:1</td> <td>B</td> </tr> </table> | | SHEET | SCALE | REV | | 2/3 | 1:1 | B |
| | SHEET | SCALE | REV | | | | | | | | |
| | 2/3 | 1:1 | B | | | | | | | | |

| | | |
|-----|----------------------|--------------|
| REV | ECN.NO | APPD. |
| A | XYX-183BZ-24TC-18302 | ZHENBO LIU |
| B | XYX-183BZ-24TC-18302 | QiaoZhen LIN |

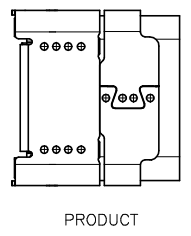


- NOTES :
- MATERIAL :
COVER TAPE : P.S T=0.05mm
CARRIER TAPE : P.S T=0.40mm
CARTON: CORRUGATED FIBER
 - DIMENSION :
REEL : SEE DRAWING
SHIPPING BOX: 350X350X300mm
 - QUANTITY : SEE TABLE
 - PEELING RESISTANCE : 10gf~130gf (for 12~56mm)
 - PEELING SPEED : 300mm/MINUTES



| | | |
|----------|----------|------------|
| 400 | 7 | 2800 |
| PCS/REEL | REEL/BOX | TOTAL Q'TY |

此文件为双方检验的唯一标准
This document is the only standard for inspection by both parties



| | | | | |
|---|--------|----|------------------------|-----------------------|
| GENERAL TOLERANCE X.±0.30 x.°±1' .X±0.25 .x'±0.1' .XX±0.20 .XXX±0.10 THESE DRAWINGS AND SPECIFICATIONS ARE THE PROPERTY OF RIBAO IN TEECONNECT TECHNOLOGY LIMITED AND SHALL NOT BE REPRODUCED COPIED OR USED IN ANY MANNER WITHOUT THE PRIOR WRITTEN CONSENT OF XINYEXING INTERCONNECTEC HNOLOGY LIMITEDCT | UNITS | mm | NAME(INTENDED USE) | TYPE-C REC, CH3.68mm |
| | MAT'L | | PART NO.(INTENDED USE) | XYX-183BZ-24TC-18302 |
| | FINISH | | APPD: | ZHENBO LIU 12/04'16 |
| | Q'TY | | CHKD: | QiaoZhen LIN 12/04'16 |
| | | | DR: | ZHIYI LI 12/04'16 |

深圳市日宝电子科技有限公司
Shenzhen RB Electronic Technology Co., Ltd.

| | | | |
|----------|---------------------------------------|---------------------------------|---|
| CLASS: | <input type="checkbox"/> CONFIDENTIAL | <input type="checkbox"/> SECRET | <input checked="" type="checkbox"/> GENERAL |
| TITLE.: | CUSTOMER DRAWING | | |
| DWG NO.: | | | |
| | SHEET | SCALE | REV |
| | 3/3 | 1:1 | B |