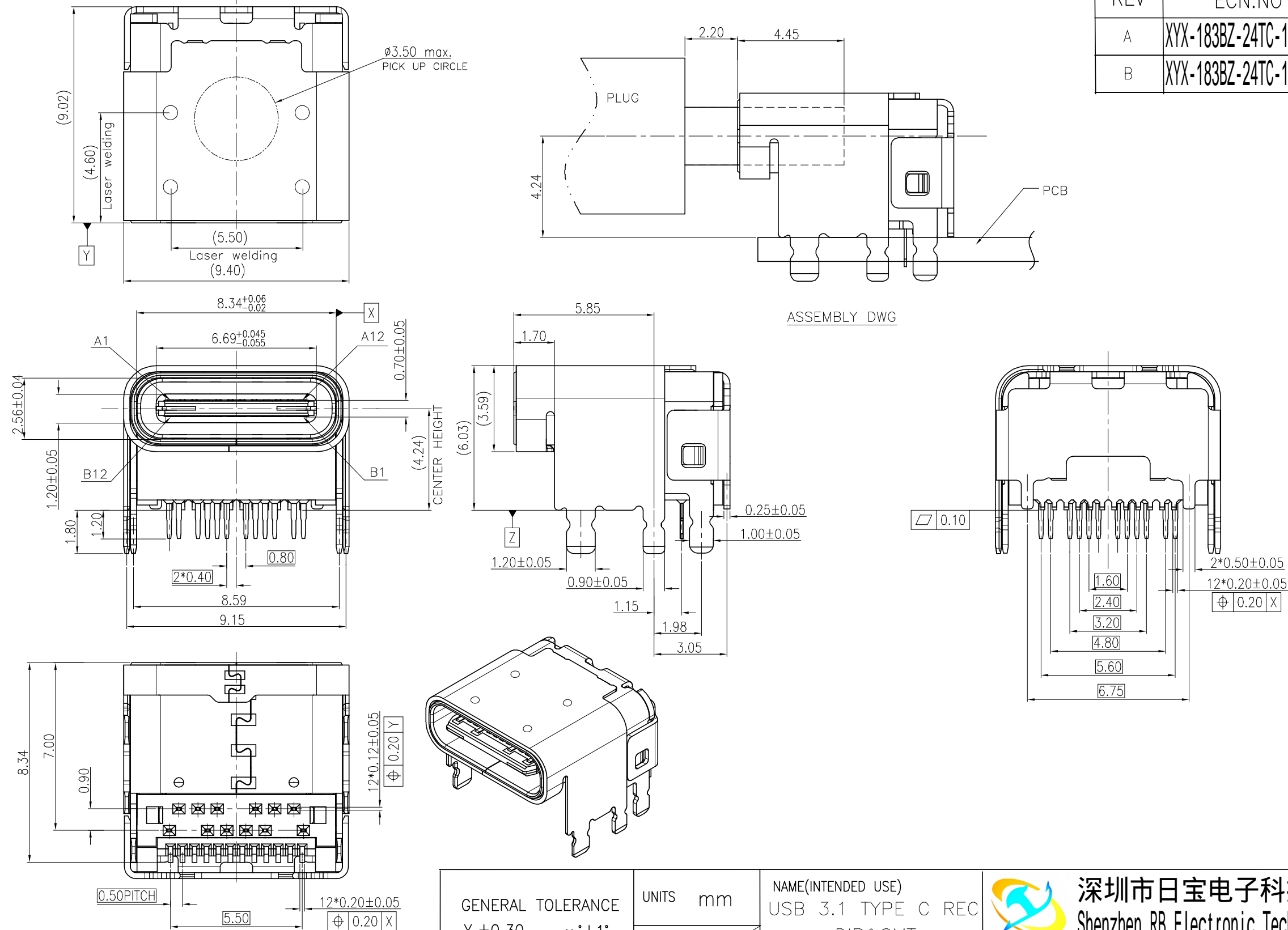



REV	ECN.NO	APPD.
A	XYX-183BZ-24TC-18304	ZHENBO LIU
B	XYX-183BZ-24TC-18304	QiaoZhen LIN



ASSEMBLY DWG


GENERAL TOLERANCE	UNITS	mm
	MAT'L	
.X±0.30 .x'±1° .XX±0.25 .x'±0.1° .XXX±0.15 .XXX±0.10	FINISH	
	Q'TY	
<small>THESE DRAWINGS AND SPECIFICATIONS ARE THE PROPERTY OF RIBAO IN TEECONNECT TECHNOLOGY LIMITED, AND SHALL NOT BE REPRODUCED COPIED OR USED IN ANY MANNER WITHOUT THE PRIOR WRITTEN CONSENT OF XINYEXING INTERCONNECTEC HNOLGY LIMITEDCT</small>		
NAME(INTENDED USE)		USB 3.1 TYPE C REC DIP&SMT
PART NO.(INTENDED USE)		XYX-183BZ-24TC-18304
APPD:		ZHENBO LIU 12/04'16
CHKD:		QiaoZhen LIN 12/04'16
DR:		ZHIYI LI 12/04'16

 **深圳市日宝电子科技有限公司**
Shenzhen RB Electronic Technology Co., Ltd.

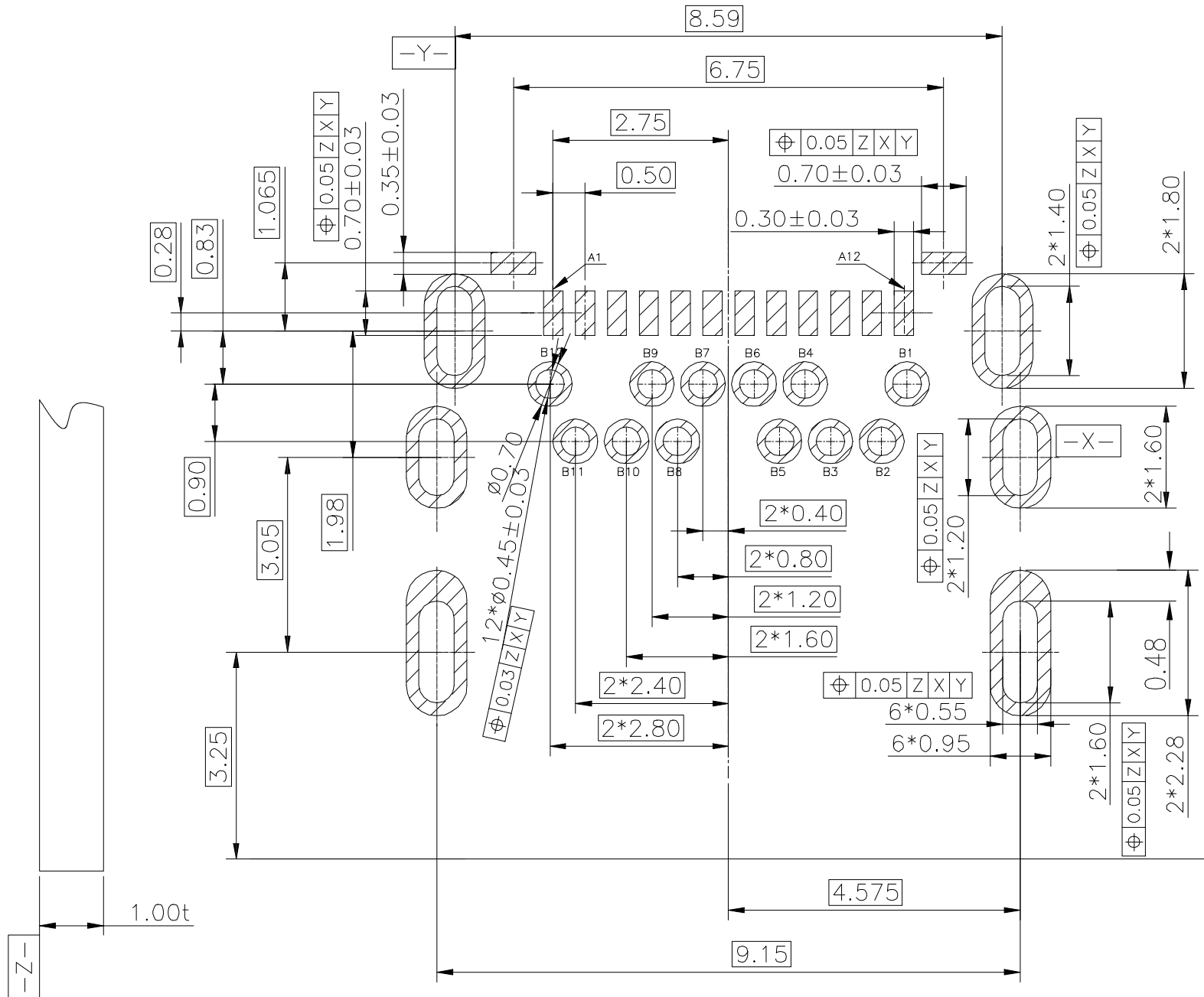
CLASS: CONFIDENTIAL SECRET GENERAL

TITLE.: CUSTOMER DRAWING

DWG NO.:

	SHEET	SCALE	REV
1/3	1:1	B	

REV	ECN.NO	APPD.
A	XYX-183BZ-24TC-18304	ZHENBO LIU
B	XYX-183BZ-24TC-18304	QiaoZhen LIN



RECOMMENDED PCB LAYOUT T=1.00mm (TOP VIEW)
SCALE: 2:1 TOL.:±0.05

NOTES:

- ELECTRICAL CHARACTERISTICS :
 - CONTACT CURRENT RATING:
5.0 A FOR VBUS PIN AND ITS CORRESPONDING GND PIN.
0.25 A MIN FOR ALL OTHER CONTACTS.
 - CONTACT RESISTANCE: INITIAL 40 mΩ Max.
AFTER 50 mΩ Max.
 - DIELECTRIC WITHSTANDING VOLTAGE : 100 VRMS AC MIN.
 - INSULATION RESISTANCE: 100 MEGOHMS MIN.
- MECHANICAL CHARACTERISTICS:
 - CONNECTOR INSERTION FORCE: 5~20N.
AT A MAXIMUN RATE OF 12.5MM PER SECOND.
 - CONNECTOR EXTRACTION FORCE: 8~20N FORM 1000 CYCLES
6~20N FORM 1000 TO 10000 CYCLES
 - DURABILITY: 10000 CYCLES.
 - OPERATING TEMPERATURE: -55°C TO +85°C
- DIMENSIONS ARE IN MILLIMETERS, BRACKETED DIMENSIONS ARE INCHES EQUIVALENTS.
- RECOMMENED PROCESS: IR REFLOW 260°C, 10 SECONDS.
- THE CONNECTOR IS ROHS COMPLIANT.

⑥	TOP CONTACT	1 SET	COPPER-ALLOY	50u" MIN. Ni UNDER PLATING. 80u" MIN. MATTE TIN PLATING ON SOLDER AREA.
⑤	BOTTOM CONTACT	1 SET	COPPER-ALLOY	GOLD PLATING ON CONTACT AREA.(SEE PART NUM)
④	MID PLATE	1 PCS	STAINLESS STEEL	NO PLATING
③	HOUSING	1 PCS	LCP-UL94V-0	BLACK
②	INNER SHELL	1 PCS	STAINLESS STEEL	50u" MIN. Ni PLATING ON SOLDER AREA.
①	TOP SHELL	1 PCS	STAINLESS STEEL	50u" MIN. SOLDERABLE Ni PLATING ON SOLDER AREA.
ITFM	PART NAMF	QTY	MATFRIAL	RFMARK

INTERFACE(FRONT VIEW)

A1	A2	A3	A4	A5	A6	A7	A8	A9	A10	A11	A12
GND	SSTXp1	SSTXn1	Vbus	CC1	Dp1	Dn1	SBU1	Vbus	SSRXn2	SSRXp2	GND
GND	SSRXp1	SSRXn1	Vbus	SBU2	Dn2	Dp2	CC2	Vbus	SSTXn2	SSTXp2	GND
B12	B11	B10	B9	B8	B7	B6	B5	B4	B3	B2	B1

GENERAL TOLERANCE
X.±0.30 x.°±1°
.X±0.25 .x°±0.1°
.XX±0.15
.XXX±0.10

UNITS	mm
MAT'L	
FINISH	
Q'TY	

NAME(INTENDED USE)
USB 3.1 TYPE C REC
DIP&SMT

PART NO.(INTENDED USE)
XYX-183BZ-24TC-18304

APPD: ZHENBO LIU 12/04'16

CHKD: QiaoZhen LIN 12/04'16

DR: ZHIYI LI 12/04'16

深圳市日宝电子科技有限公司
Shenzhen RB Electronic Technology Co., Ltd.

CLASS: CONFIDENTIAL SECRET GENERAL

TITLE.: CUSTOMER DRAWING

DWG NO.:

	SHEET	SCALE	REV
	2/3	1:1	B

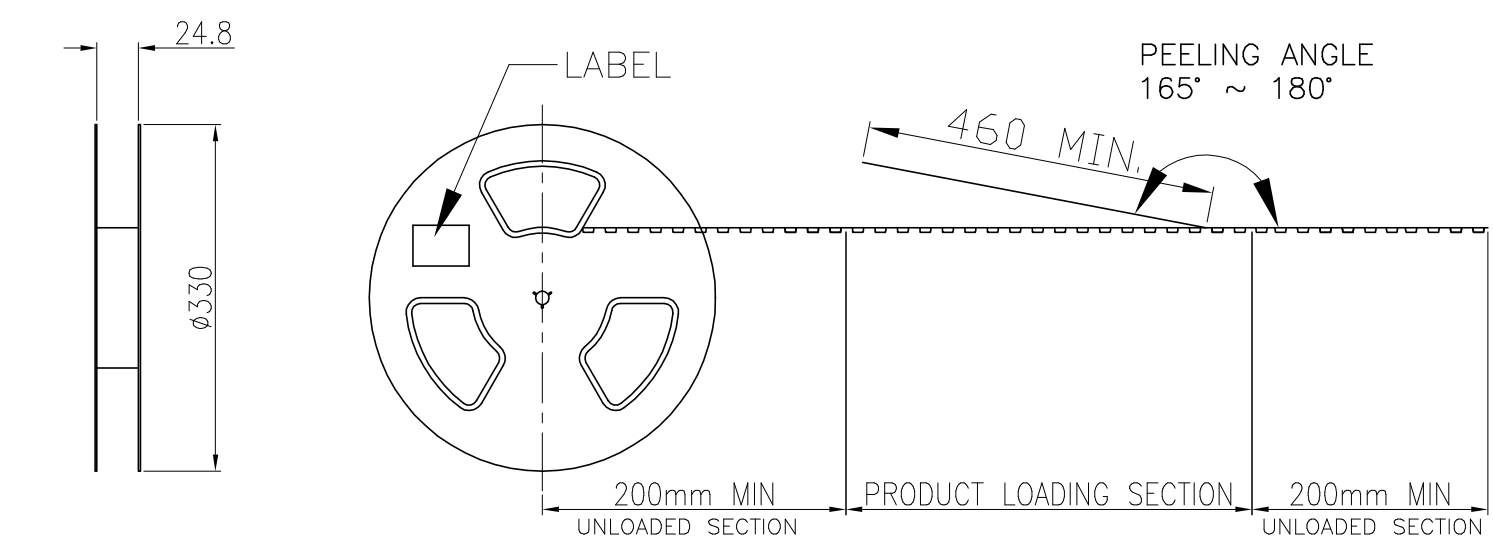
THESE DRAWINGS AND SPECIFICATIONS ARE THE PROPERTY OF RIBAO IN TEECONNECT TECHNOLOGY LIMITED.AND SHALL NOT BE REPRODUCED COPIED OR USED IN ANY MANNER WITHOUT THE PRIOR WRITTEN CONSENT OF XINYEXING INTERCONNECTEC HNOLGY LIMITEDCT

1 2 3 4 5 6 7 8

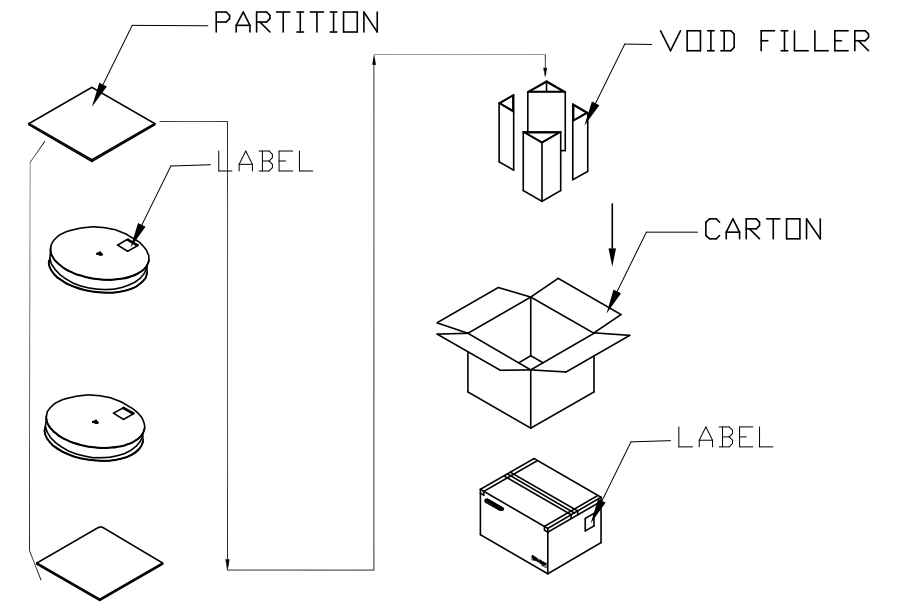
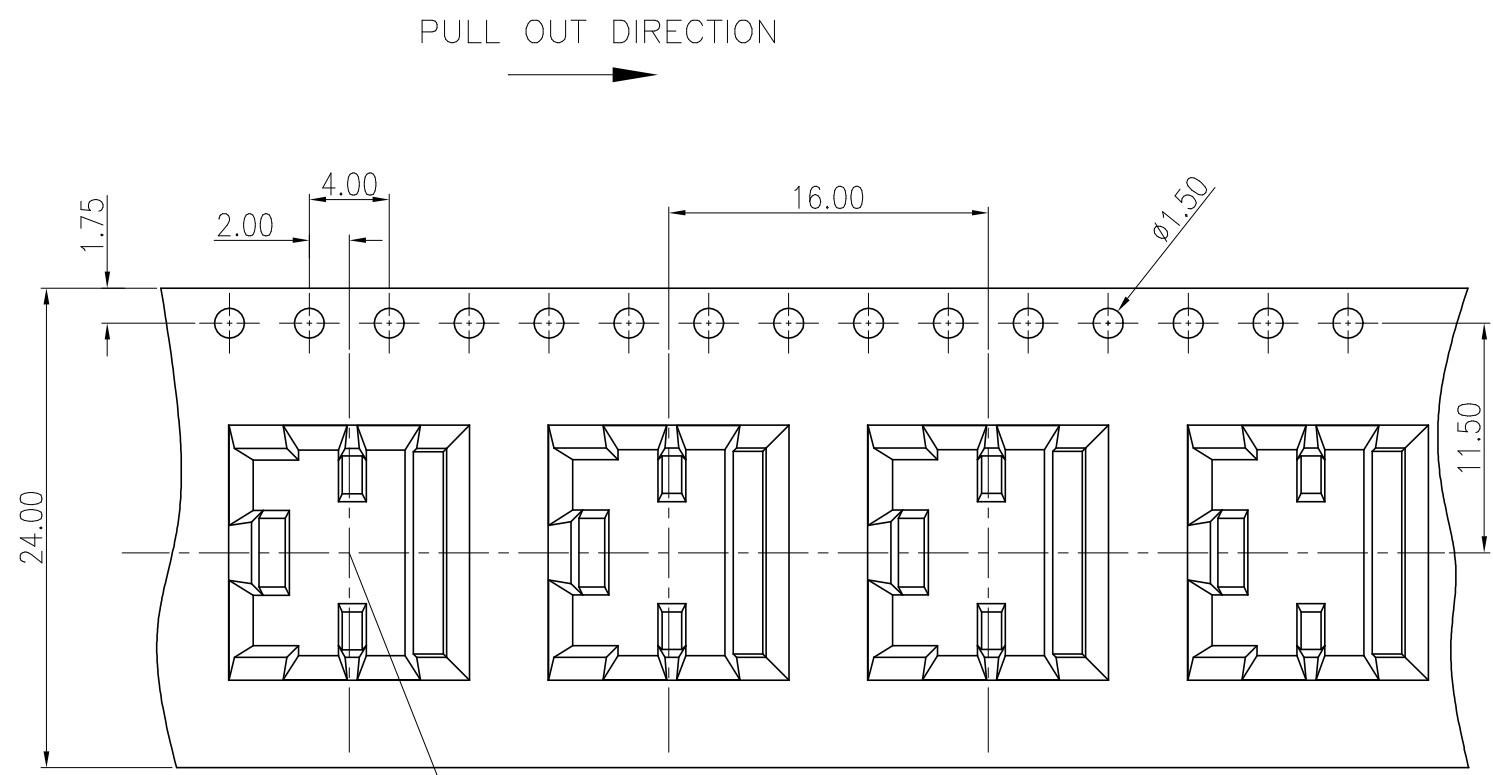
REV	ECN.NO	APPD.
A	XYX-183BZ-24TC-18304	ZHENBO LIU
B	XYX-183BZ-24TC-18304	QiaoZhen LIN

A
B
C
D

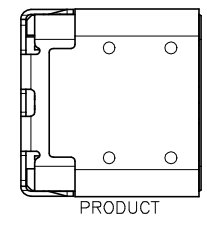
1
2
3
4
5
6
7
8




- NOTES :
- MATERIAL :
COVER TAPE : P.S T=0.05mm
CARRIER TAPE : P.S T=0.50mm
CARTON: CORRUGATED FIBER
 - DIMENSION :
REEL : SEE DRAWING
SHIPPING BOX: 350X350X300mm
 - QUANTITY : SEE TABLE
 - PEELING RESISTANCE : 10gf~130gf (for 12~56mm)
 - PEELING SPEED : 300mm/MINUTES



450	9	4050
PCS/REEL	REEL/BOX	TOTAL Q'TY




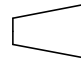
GENERAL TOLERANCE X.±0.30 x.*±1° .X±0.25 .x.*±0.1° .XX±0.15 .XXX±0.10	UNITS mm MAT'L FINISH Q'TY	NAME(INTENDED USE) USB 3.1 TYPE C REC DIP&SMT PART NO.(INTENDED USE) XYX-183BZ-24TC-18304 APPD: ZHENBO LIU 12/04'16 CHKD: QiaoZhen LIN 12/04'16 DR: ZHIYI LI 12/04'16
THESE DRAWINGS AND SPECIFICATIONS ARE THE PROPERTY OF RIBAO IN TEECONNECT TECHNOLOGY LIMITED.AND SHALL NOT BE REPRODUCED COPIED OR USED IN ANY MANNER WITHOUT THE PRIOR WRITTEN CONSENT OF XINYEXING INTERCONNECTEC HNOLGY LIMITEDCT		

 **深圳市日宝电子科技有限公司**
Shenzhen RB Electronic Technology Co., Ltd.

CLASS: CONFIDENTIAL SECRET GENERAL

TITLE.: CUSTOMER DRAWING

DWG NO.:

		SHEET 3 / 3	SCALE 1:1	REV B
---	---	----------------	--------------	----------